

RITMO AMERICA



"AT EASE IN YOUR JOBSITE"

www.ritmoamerica.com





RITMO S.P.A. is a world leader with over 35 years of experience in the manufacturing of plastic welding equipment. All products are designed and built according to International standards and directives (UNI, ISO, CEE). Since the very beginning, quality and technology innovation are RITMO's milestones, and time after time, this philosophy is always more recognized by the global market. RITMO strong points are its ideas to design and produce accurate, fast, versatile, modular and easy-to-use welding machines. Products range includes butt fusion, electrofusion and extrusion equipment. Ritmo is also providing a complete line of accessories and useful instruments for pipe cutting and weld preparation such as the band saws. RITMO's regards towards the client has brought to the new-born "RITMO FUSION OPERATOR SCHOOL", which is a welding school with the goal of building qualified personnel and spread the knowledge about the technical potentiality of RITMO's equipment: **TECHNOLOGY MADE IN ITALY.**

MADE IN ITALY

DESIGNED & MANUFACTURED
IN ITALY



watch the video



ISO 9001
Quality System





Ritmo America LLC - FL

RITMO

AMERICA

www.ritmoamerica.com



Rossella Contiero - Managing Director



Follow RITMO on



www.youtube.com/user/RitmoPlasticWelding

A

D V A N T A G E

RITMO SERVICE

RITMO WORLDWIDE

Ritmo has professional distributors and resellers all over the world. Our staff is ready to assist you in English, Spanish, French, German, Arab, Italian, Russian and Portuguese.

TRAINING

From many years now, we have decided that the best way to grant a client/distributor a perfect knowledge of our products is to invest in custom training, in our own premises. These courses are aimed to teach how to operate the products in the best way, and how to supply the "first aid" when necessary.

PRESALES TECHNICAL ASSISTANCE

When a client or a potential client wants to buy us a product, it is our standard procedure to help find the best solution to its needs.

GLOBAL ADVICE

In such a technical field as ours, the customer requires the best assistance. Thanks to the experience developed along the years, and to the co-operation with several manufacturers, institutions, schools and training institutes, RITMO is able to give the most comprehensive advice to no matter which related issue.

Our company is a long-time member of a UNIPLAST's (UNI-Italian National Plastics Standards Body) working group dedicated to the study and draw up of new standards within our field. The importance of this group is linked to the fact that the expansion of the plastic welding field ought to be followed by a crescent sensitivity for safety issues, so to have a sustainable and continuous growth. The working group prepares draws, hence present them to the UNI to be discussed and eventually transformed into new standards.

AFTER SALES TECHNICAL ASSISTANCE

Ritmo's Service Centre can solve all kind of technical issues, as well as overhaul our machines. Ritmo has other Service Centres abroad, linked to its official distributors.

STARTING AND TESTING

RITMO' technicians are prepared to make the starting and testing of workshop machines at the client' own premises, so that the fittings production can start almost immediately.

BUTT FUSION MACHINES



WORKING RANGE

MODEL	IPS	DIPS	1	1¼	1½	2	3	4	5	6	8	10	12	14	16	18	20	22	24	26	28	30	32	34	36	40	42	48	54	60	63		
DELTA 160 M																																	
BASIC 160 EASY LIFE																																	
DELTA DRAGON 160																																	
BASIC 200 EASY LIFE																																	
DELTA DRAGON 250 B																																	
DELTA 250 TRAILER																																	
BASIC 315 EASY LIFE																																	
DELTA 355 ALL TERRAIN																																	
DELTA 355 TRAILER																																	
BASIC 355 EASY LIFE																																	
DELTA DRAGON 355 B																																	
COMPACT 355 L																																	
DELTA 500																																	
DELTA 500 EASY LIFE																																	
DELTA 500 ALL TERRAIN																																	
DELTA 500 TRAILER																																	
DELTA 630 TRAILER																																	
DELTA 630 ALL TERRAIN																																	
DELTA 630																																	
DELTA 630 EASY LIFE																																	
DELTA 800																																	
DELTA 1000 TRAILER																																	
DELTA 1000																																	
DELTA 1200																																	
DELTA 1600																																	
IPS	DIPS	1	1¼	1½	2	3	4	5	6	8	10	12	14	16	18	20	22	24	26	28	30	32	34	36	40	42	48	54	60	63			

● On request



DELTA 250 TRAILER



Self-aligning hydraulic butt fusion machine, suitable for welding underpressure pipes for water, gas and other fluids up to Ø 8" DIPS (250 mm). Built according to the International standards **ISO 21307 HIGH PRESSURE** (the clamps cylinders work with a pressure range that is three times and a half higher than the ISO Low Pressure ones. This enhances productivity, with a welding time saving of 60%). **DELTA 250 TRAILER** includes:

- **A trailer-mounted machine body**, easily removable from the trolley in order to perform also into the ditch, adapting to the conditions of the job site. The body is also able to tilt, allowing the operator to work with the clamps in a horizontal or inclined position. It comes with the **fast-locking adapters system SMARTLock RITMO Patented**, thanks to which is possible to change adapters in few seconds.
- **An on-board electric facer** that is equipped with a safety microswitch to prevent from accidental starts, a thermal circuit breaker to protect the engine and also features an ergonomic docking system and on/off switches. To allow the weld in ditches, the milling cutter is easily removable from the trolley/machine body in order to reduce the overall dimensions of the machine and ease the load/unload process.
- **An extractable heating plate** Teflon-coated (PTFE) equipped with an independent thermometer to check the working temperature.
- **An EASY LIFE control panel** which is also removable from the machine body to be able to check the welding phases outside from the ditches. It allows the operator to program and pilot all the welding duty cycle in an easy, fast and very intuitive way. It also controls the temperature of the heating plate, always visible on the display. It includes a data-logging system to store the welding data, connectable to a PC or a laptop by serial port/USB for the data download. The EASY LIFE system can store up to 400 joint reports.
- **A heating plate support** which comes with a high-temperature-proof bag, which also avoid the heating element from being scratched.

DELTA 250 TRAILER is able to weld fittings like elbows, tees, Y-branches and flanges necks. Available in the 110 V and 230 V versions.

STANDARD COMPOSITION

- Machine body group complete with: trolley, hydraulic gearcase
- EASY LIFE control panel, facer, bag and keys
- Heating plate TP DELTA 250 TE with support
- Lateral rollers



TECHNICAL FEATURES

Working range	2" IPS to 8" DIPS (75 + 250 mm)	
Power supply	120 V	230 V
	Single phase 50/ 60 Hz	
Total absorbed power	4400 W	4200 W
Working temperature	356° ÷ 536° F	
Outside temperature range	14° ÷ 104° F	
Time to reach welding temperature	< 20 min.	
Materials	HDPE, PP, PB, PVDF <small>For other materials contact RITMO S.P.A.</small>	



DIMENSION (W x D x H)	
Machine body	42,5" x 54,3" x 52,3"

WEIGHT	
Machine body	187 lb
Standard composition	450 lb

ON REQUEST (ACCESSORIES)

- Clamps' inserts from Ø 2" IPS + 8" IPS; Ø 3" DIPS + 8" DIPS; Ø 75 + 225 mm
- Wooden case for inserts
- Tool to weld flanges' necks/ Stub-end holder
- Data-logging software and serial cable
- HS ROLLERS 250



INDIA



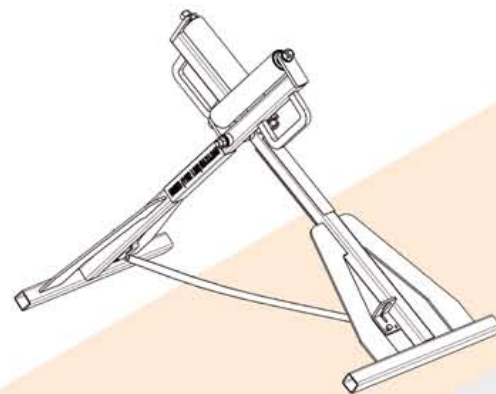
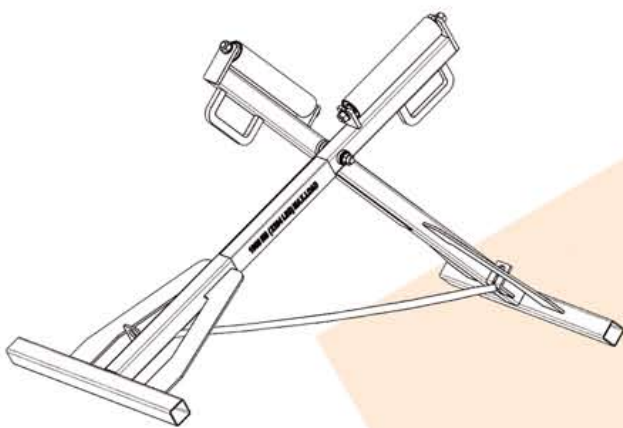
HS ROLLERS

HIGH STAND ROLLERS, this device is essential for supporting the pipes while they are being welded with the butt fusion machines. The rollers minimise pipe friction and drag force no matter which is the construction site condition. Special design for All Terrain / Trailer Line.



HS ROLLERS 250

Working range max: Ø 8" (250 mm)
Overall dimension: 45" x 20" x 30" (W x D x H)
Weight: 57 lb
Weight capacity: 1100 lb

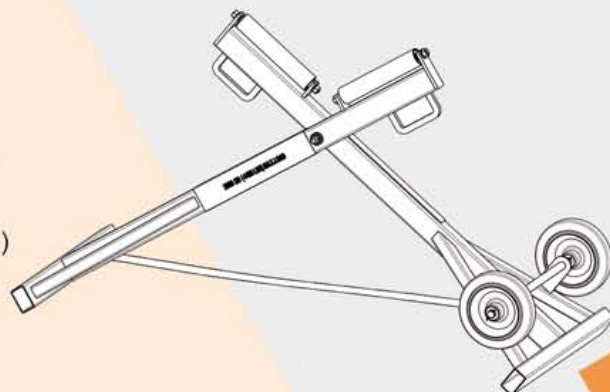


HS ROLLERS 355

Working range max: Ø 14" (355 mm)
Overall dimension: 56" x 23,5 x 32" (W x D x H)
Weight: 72,5 lb
Weight capacity: 2200 lb

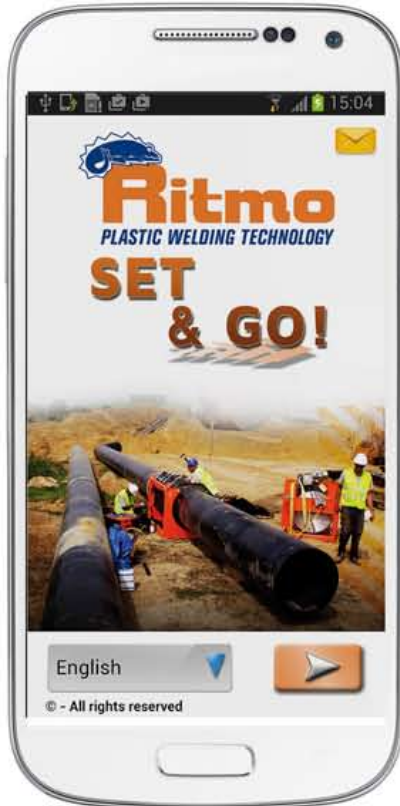
HS ROLLERS 630

Working range max: Ø 24" (630 mm)
Overall dimension: 69,5" x 31,5" x 38,5" (W x D x H)
Weight: 121 lb
Weight capacity: 4400 lb



DOWNLOAD

SET & GO!



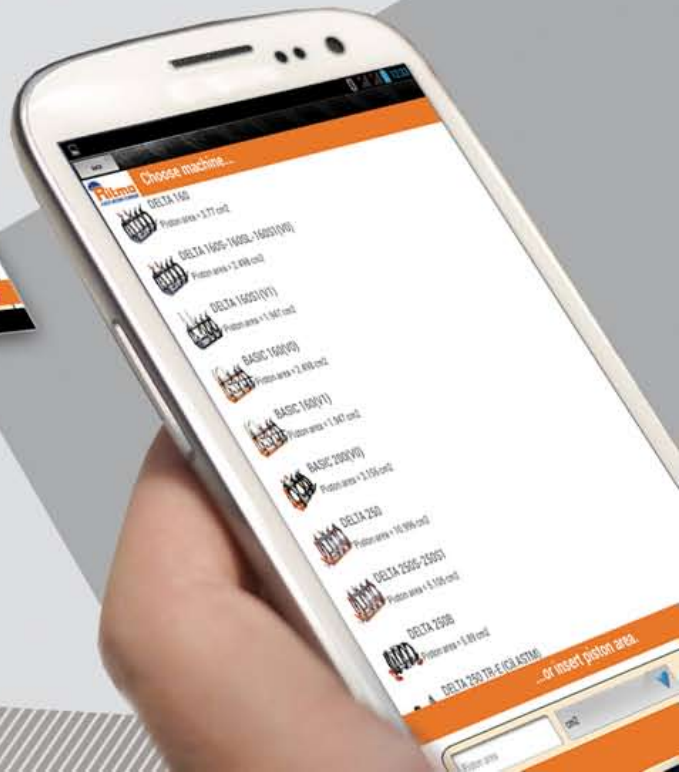
APP developed by RITMO for its butt fusion machines.

“SET & GO” calculates the welding parameters in a simple, fast and useful way.

Through easy steps, like selecting the machine model, setting up the pipe data and choosing the welding standard, “SET & GO” tells you immediately your welding parameters!

The welding cycle is assisted and guided, step-by-step, by a handy timer with countdown function

“SET & GO” ...set to the future!



BUTT FUSION MACHINES REFERENCE

MODEL	32	40	50	56	63	75	90	110	125	140	160	180	200	225	250	280	315	355	400	450	500	560	630	710	800	900	1000	1200	1400	1600	
Millimeters	32	40	50	56	63	75	90	110	125	140	160	180	200	225	250	280	315	355	400	450	500	560	630	710	800	900	1000	1200	1400	1600	
DELTA 160 M																															
BASIC 160 EASY LIFE																															
DELTA DRAGON 160																															
BASIC 200 EASY LIFE																															
DELTA DRAGON 250 B																															
DELTA 250 TRAILER																															
BASIC 315 EASY LIFE																															
DELTA 355 ALL TERRAIN																															
DELTA 355 TRAILER																															
BASIC 355 EASY LIFE																															
DELTA DRAGON 355 B																															
COMPACT 355 L																															
DELTA 500																															
DELTA 500 EASY LIFE																															
DELTA 500 ALL TERRAIN																															
DELTA 500 TRAILER																															
DELTA 630 TRAILER																															
DELTA 630 ALL TERRAIN																															
DELTA 630																															
DELTA 630 EASY LIFE																															
DELTA 800																															
DELTA 1000 TRAILER																															
DELTA 1000																															
DELTA 1200																															
DELTA 1600																															
Millimeters	32	40	50	56	63	75	90	110	125	140	160	180	200	225	250	280	315	355	400	450	500	560	630	710	800	900	1000	1200	1400	1600	



The information and photos in this publication are not binding and RITMO S.P.A. is free to make any alterations without prior notice.



RITMO AMERICA LLC

300 Acuff Road - Lake Wales FL 33859
Phone 863-679-8655 Fax 863-679-8685
www.ritmoamerica.com - info@ritmoamerica.com



RITMO S.p.A.

Via A. Volta, 35/37 - 35037 Bressio di Teolo (PADOVA) ITALY
Ph. +39 049 9901888 Fax +39 049 9901993
info@ritmo.it - www.ritmo.it



Watch
the Corporate Video