

RITMO AMERICA



"AT EASE IN YOUR JOBSITE"

www.ritmoamerica.com





RITMO S.P.A. is a world leader with over 35 years of experience in the manufacturing of plastic welding equipment. All products are designed and built according to International standards and directives (UNI, ISO, CEE). Since the very beginning, quality and technology innovation are RITMO's milestones, and time after time, this philosophy is always more recognized by the global market. RITMO strong points are its ideas to design and produce accurate, fast, versatile, modular and easy-to-use welding machines. Products range includes butt fusion, electrofusion and extrusion equipment. Ritmo is also providing a complete line of accessories and useful instruments for pipe cutting and weld preparation such as the band saws. RITMO's regards towards the client has brought to the new-born "RITMO FUSION OPERATOR SCHOOL", which is a welding school with the goal of building qualified personnel and spread the knowledge about the technical potentiality of RITMO's equipment: **TECHNOLOGY MADE IN ITALY.**

MADE IN ITALY

DESIGNED & MANUFACTURED
IN ITALY



watch the video



ISO 9001
Quality System





Ritmo America LLC - FL

RITMO AMERICA

www.ritmoamerica.com



Rossella Contiero - Managing Director



Follow RITMO on



www.youtube.com/user/RitmoPlasticWelding

A

D V A N T A G E

RITMO SERVICE

RITMO WORLDWIDE

Ritmo has professional distributors and resellers all over the world. Our staff is ready to assist you in English, Spanish, French, German, Arab, Italian, Russian and Portuguese.

TRAINING

From many years now, we have decided that the best way to grant a client/distributor a perfect knowledge of our products is to invest in custom training, in our own premises. These courses are aimed to teach how to operate the products in the best way, and how to supply the "first aid" when necessary.

PRESALES TECHNICAL ASSISTANCE

When a client or a potential client wants to buy us a product, it is our standard procedure to help find the best solution to its needs.

GLOBAL ADVICE

In such a technical field as ours, the customer requires the best assistance. Thanks to the experience developed along the years, and to the co-operation with several manufacturers, institutions, schools and training institutes, RITMO is able to give the most comprehensive advice to no matter which related issue.

Our company is a long-time member of a UNIPLAST's (UNI-Italian National Plastics Standards Body) working group dedicated to the study and draw up of new standards within our field. The importance of this group is linked to the fact that the expansion of the plastic welding field ought to be followed by a crescent sensitivity for safety issues, so to have a sustainable and continuous growth. The working group prepares draws, hence present them to the UNI to be discussed and eventually transformed into new standards.

AFTER SALES TECHNICAL ASSISTANCE

Ritmo's Service Centre can solve all kind of technical issues, as well as overhaul our machines. Ritmo has other Service Centres abroad, linked to its official distributors.

STARTING AND TESTING

RITMO' technicians are prepared to make the starting and testing of workshop machines at the client' own premises, so that the fittings production can start almost immediately.

BUTT FUSION MACHINES



WORKING RANGE

MODEL	IPS	DIPS	1	1¼	1½	2	3	4	5	6	8	10	12	14	16	18	20	22	24	26	28	30	32	34	36	40	42	48	54	60	63		
DELTA 160 M																																	
BASIC 160 EASY LIFE																																	
DELTA DRAGON 160																																	
BASIC 200 EASY LIFE																																	
DELTA DRAGON 250 B																																	
DELTA 250 TRAILER																																	
BASIC 315 EASY LIFE																																	
DELTA 355 ALL TERRAIN																																	
DELTA 355 TRAILER																																	
BASIC 355 EASY LIFE																																	
DELTA DRAGON 355 B																																	
COMPACT 355 L																																	
DELTA 500																																	
DELTA 500 EASY LIFE																																	
DELTA 500 ALL TERRAIN																																	
DELTA 500 TRAILER																																	
DELTA 630 TRAILER																																	
DELTA 630 ALL TERRAIN																																	
DELTA 630																																	
DELTA 630 EASY LIFE																																	
DELTA 800																																	
DELTA 1000 TRAILER																																	
DELTA 1000																																	
DELTA 1200																																	
DELTA 1600																																	
IPS	DIPS	1	1¼	1½	2	3	4	5	6	8	10	12	14	16	18	20	22	24	26	28	30	32	34	36	40	42	48	54	60	63			

● On request



DELTA 355 TRAILER



DELTA 355 TRAILER is a self-aligning fusion machine, suitable for welding thermoplastic pipes for the transport of water, gas and other fluids under pressure Ø 4" IPS ÷ 14" IPS (125 ÷ 355 mm).

Machine can fuse pipes according to the **ISO 21307 High Pressure standard** (pressure range is three times and a half higher than the ISO Low Pressure ones). This greatly enhances productivity allowing 60% time saving. Standard machine features:

- **Machine body** mounted on a 4 wheeled chassis, easily removable for working in tight spaces;
- **Fast-locking adapters system SMARTLock RITMO Patented**, thanks to which is possible to change adapters in few seconds. The facer and the EASY LIFE control panel are mounted on-board. The **EASY LIFE** system allows the operator to program and control, in a very easy way, all the welding cycle and it also incorporates a Data-logging system to record all the working process. The EASY LIFE system can store up to 400 joint reports. It also features a **GPS system** that allows the localization of the working place, and the possibility to connect a portable serial printer.
- The **heating element** can be docked in a comfortable on-board support. The machine body, with the four clamps, can be easily removed from the trolley in order to work in ditches. Also the control panel can be removed to allow the operator to control the welding process out from the ditch.
- The machine is supplied with **two rollers** that allow the fast shift of the pipes; the one on the rear of the machine is hydraulic-controlled while the other, in front, is manual.

STANDARD COMPOSITION

- Machine body group, complete with:
- Trolley with hydraulic gearcase
 - EASY LIFE control panel
 - Facer
 - Heating plate
 - Heating plate support
 - Rollers

ON REQUEST (ACCESSORIES)

- Clamps' inserts from
 - Ø 4" IPS ÷ 12" IPS
 - Ø 4" DIPS ÷ 12" DIPS
 - Ø 125 to 315 mm
- Tool for flange necks/stub-end holder
- Inserts' transportation box
- Data-logging software and cable
- Panel with manual control
- HS ROLLERS 355



DELTA 355 TRAILER



Working range	4" IPS ÷ 14" IPS (125 ÷ 355 mm)
Power supply	230 V
	Single phase - 50/60 Hz
Total absorbed power	6450 W
Working temperature	356° ÷ 536° F
Outside temperature range	14° ÷ 104° F
Time to reach welding temperature	< 20 min.
Materials	HDPE, PP, PB, PVDF <small>For other materials contact RITMO S.P.A.</small>
DIMENSION (W x D x H)	
Machine body	83,1" x 46,5" x 51,8"
WEIGHT	
Standard composition	1070 lb



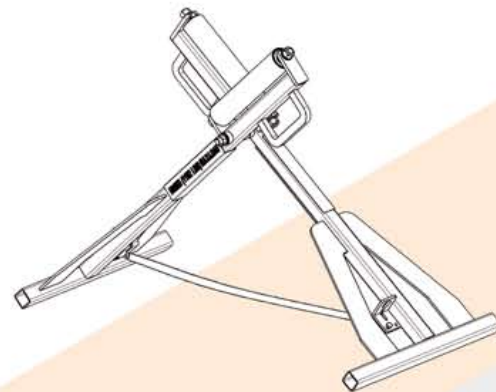
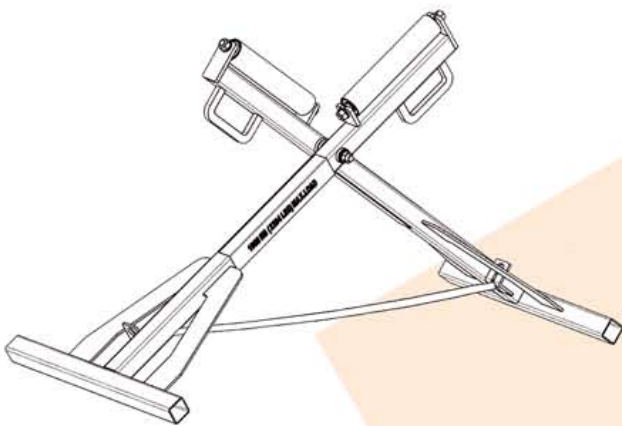
HS ROLLERS

HIGH STAND ROLLERS, this device is essential for supporting the pipes while they are being welded with the butt fusion machines. The rollers minimise pipe friction and drag force no matter which is the construction site condition. Special design for All Terrain / Trailer Line.



HS ROLLERS 250

Working range max: Ø 8" (250 mm)
Overall dimension: 45" x 20" x 30" (W x D x H)
Weight: 57 lb
Weight capacity: 1100 lb

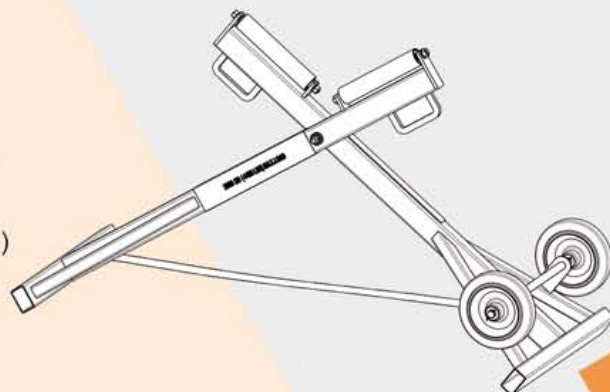


HS ROLLERS 355

Working range max: Ø 14" (355 mm)
Overall dimension: 56" x 23,5 x 32" (W x D x H)
Weight: 72,5 lb
Weight capacity: 2200 lb

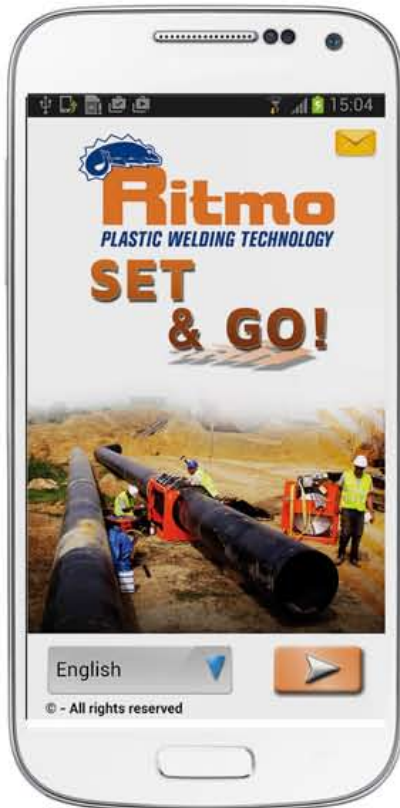
HS ROLLERS 630

Working range max: Ø 24" (630 mm)
Overall dimension: 69,5" x 31,5" x 38,5" (W x D x H)
Weight: 121 lb
Weight capacity: 4400 lb



DOWNLOAD

SET & GO!



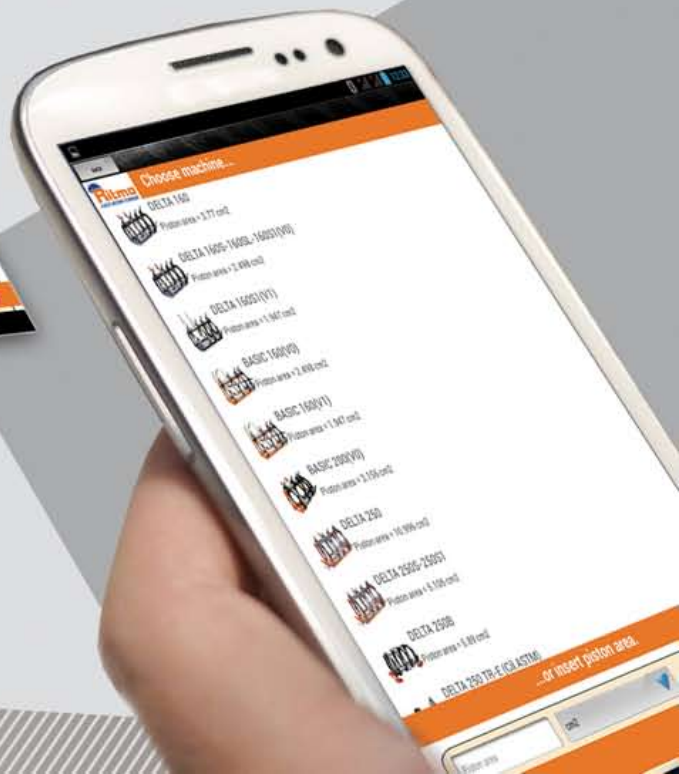
APP developed by RITMO for its butt fusion machines.

“SET & GO” calculates the welding parameters in a simple, fast and useful way.

Through easy steps, like selecting the machine model, setting up the pipe data and choosing the welding standard, “SET & GO” tells you immediately your welding parameters!

The welding cycle is assisted and guided, step-by-step, by a handy timer with countdown function

“SET & GO” ...set to the future!



BUTT FUSION MACHINES REFERENCE

MODEL	32	40	50	56	63	75	90	110	125	140	160	180	200	225	250	280	315	355	400	450	500	560	630	710	800	900	1000	1200	1400	1600	
Millimeters																															
DELTA 160 M																															
BASIC 160 EASY LIFE																															
DELTA DRAGON 160																															
BASIC 200 EASY LIFE																															
DELTA DRAGON 250 B																															
DELTA 250 TRAILER																															
BASIC 315 EASY LIFE																															
DELTA 355 ALL TERRAIN																															
DELTA 355 TRAILER																															
BASIC 355 EASY LIFE																															
DELTA DRAGON 355 B																															
COMPACT 355 L																															
DELTA 500																															
DELTA 500 EASY LIFE																															
DELTA 500 ALL TERRAIN																															
DELTA 500 TRAILER																															
DELTA 630 TRAILER																															
DELTA 630 ALL TERRAIN																															
DELTA 630																															
DELTA 630 EASY LIFE																															
DELTA 800																															
DELTA 1000 TRAILER																															
DELTA 1000																															
DELTA 1200																															
DELTA 1600																															
Millimeters																															





RITMO AMERICA LLC

300 Acuff Road - Lake Wales FL 33859
Phone 863-679-8655 Fax 863-679-8685
www.ritmoamerica.com - info@ritmoamerica.com



RITMO S.p.A.

Via A. Volta, 35/37 - 35037 Bressio di Teolo (PADOVA) ITALY
Ph. +39 049 9901888 Fax +39 049 9901993
info@ritmo.it - www.ritmo.it



Watch
the Corporate Video