

RITMO AMERICA



"AT EASE IN YOUR JOBSITE"

www.ritmoamerica.com





RITMO S.P.A. is a world leader with over 35 years of experience in the manufacturing of plastic welding equipment. All products are designed and built according to International standards and directives (UNI, ISO, CEE). Since the very beginning, quality and technology innovation are RITMO's milestones, and time after time, this philosophy is always more recognized by the global market. RITMO strong points are its ideas to design and produce accurate, fast, versatile, modular and easy-to-use welding machines. Products range includes butt fusion, electrofusion and extrusion equipment. Ritmo is also providing a complete line of accessories and useful instruments for pipe cutting and weld preparation such as the band saws. RITMO's regards towards the client has brought to the new-born "RITMO FUSION OPERATOR SCHOOL", which is a welding school with the goal of building qualified personnel and spread the knowledge about the technical potentiality of RITMO's equipment: **TECHNOLOGY MADE IN ITALY.**

MADE IN ITALY

**DESIGNED & MANUFACTURED
IN ITALY**



watch the video



**ISO 9001
Quality System**





Ritmo America LLC - FL

RITMO AMERICA

www.ritmoamerica.com



Rossella Contiero - Managing Director



Follow RITMO on



www.youtube.com/user/RitmoPlasticWelding

A

D V A N T A G E

RITMO SERVICE

RITMO WORLDWIDE

Ritmo has professional distributors and resellers all over the world. Our staff is ready to assist you in English, Spanish, French, German, Arab, Italian, Russian and Portuguese.

TRAINING

From many years now, we have decided that the best way to grant a client/distributor a perfect knowledge of our products is to invest in custom training, in our own premises. These courses are aimed to teach how to operate the products in the best way, and how to supply the "first aid" when necessary.

PRESALES TECHNICAL ASSISTANCE

When a client or a potential client wants to buy us a product, it is our standard procedure to help find the best solution to its needs.

GLOBAL ADVICE

In such a technical field as ours, the customer requires the best assistance. Thanks to the experience developed along the years, and to the co-operation with several manufacturers, institutions, schools and training institutes, RITMO is able to give the most comprehensive advice to no matter which related issue.

Our company is a long-time member of a UNIPLAST's (UNI-Italian National Plastics Standards Body) working group dedicated to the study and draw up of new standards within our field. The importance of this group is linked to the fact that the expansion of the plastic welding field ought to be followed by a crescent sensitivity for safety issues, so to have a sustainable and continuous growth. The working group prepares draws, hence present them to the UNI to be discussed and eventually transformed into new standards.

AFTER SALES TECHNICAL ASSISTANCE

Ritmo's Service Centre can solve all kind of technical issues, as well as overhaul our machines. Ritmo has other Service Centres abroad, linked to its official distributors.

STARTING AND TESTING

RITMO' technicians are prepared to make the starting and testing of workshop machines at the client' own premises, so that the fittings production can start almost immediately.

FITTINGS FABRICATION MACHINES

EGYPT



WORKING RANGE Ø

MODEL	IPS	DIPS	2	3	4	5	6	8	10	12	14	16	18	20	22	24	26	28	30	32	34	36	40	42	48	54	60	63	
	PROFITTINGS 6																												
Elbows																													
Y - T - X																													
ECOFITTINGS 12																													
Elbows																													
Y - T - X																													
PROFITTINGS 14																													
Elbows																													
Y - T - X																													
PROFITTINGS 24																													
Elbows																													
Y - T - X																													
ALFA 1000																													
Elbows																													
Y - T - X																													
ALFA 1200																													
Elbows																													
Y - T - X																													
ALFA 1600																													
Elbows																													
Y - T - X																													
IPS	DIPS	2	3	4	5	6	8	10	12	14	16	18	20	22	24	26	28	30	32	34	36	40	42	48	54	60	63		



ECOFITTINGS 12



This is a workshop welding machine designed to fabricate fittings like **elbows** Ø 4" ÷ 16" IPS, **wyes** (Y), **tees** and **crosses** up to Ø 4" IPS ÷ 12" IPS by joining pipe segments, with the help of special jaws.

The **ECOFITTINGS 12** can also weld special and moulded fittings such as elbows, tees and flange necks, thanks to a different type of special jaws. Composed of:

A machine body with two carriages, one of which driven by a hydraulic system; **a control panel** that features the **Easy Life system**, thanks to which it is possible to carry out a whole welding cycle in a simple, intuitive and repeatable way, so that the operator's interference would be reduced to the minimum. An built-in memory allows the machine to store 400 welding cycles (including the set diameters and SDR). It is possible to transfer the welding data to a PC through a serial port (USB adaptor connector available) and data-management software. A printer can be connected to the serial port, to get a welding report at the end of each welding cycle. **A heating plate** featuring a new horizontal sliding system, automatically operated, which enables a fast side-sliding of the plate during the exchange period. The whole process is carried out with no need of disconnecting the upper cylinder, whenever it is in use. **A facer** for levelling the ends of pipes and/or fittings that slides on recirculating ball slideways, with an electronic device for a soft start. **An upper cylinder**, to be positioned on the jaws, for welding extra thick pipes and/or whenever it's necessary to use high pressures. Available in 230 V and 400 V.





STANDARD COMPOSITION

Welding machine complete with:

- control panel
- heating plate
- facer
- upper cylinder and tools kit

ON REQUEST (ACCESSORIES)

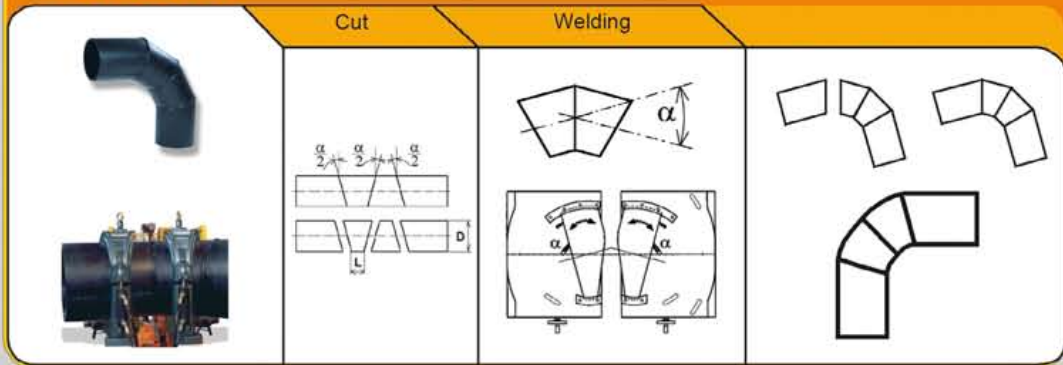
- Elbows clamps Ø 16" inserts from Ø 4" IPS ÷ 14" IPS; Ø 4" DIPS ÷ 14" DIPS
- Wyes/Tees/crosses clamps Ø 12" IPS inserts from Ø 4" IPS ÷ 10" IPS; Ø 4" DIPS ÷ 10" DIPS
- Stub and Holder
- Special jaws Ø 16" IPS

ELBOWS		4" IPS ÷ 16" IPS 0 ÷ 60° 4" DIPS ÷ 14" DIPS 0 ÷ 60°
WYES (Y)		4" DIPS ÷ 12" IPS 45° ÷ 60°
TEES		4" DIPS ÷ 12" IPS
CROSSES		4" DIPS ÷ 12" IPS
Materials	HDPE, PP for other plastic materials contact RITMO spa	

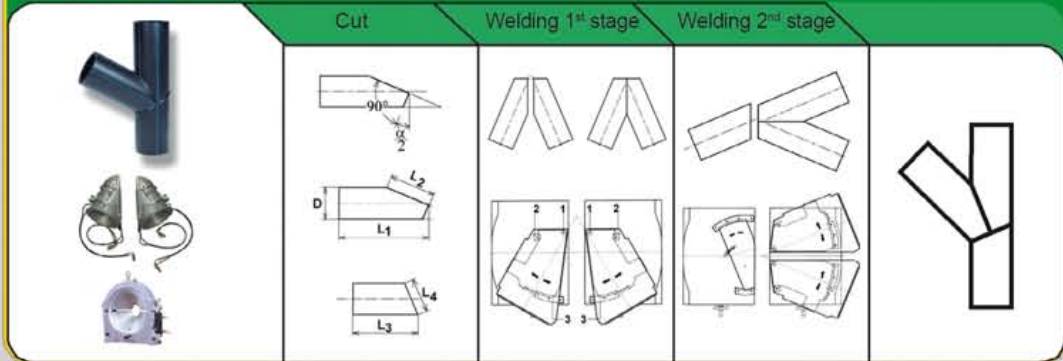
Power supply	230 V Single phase	400 V 3F + N + PE
Total absorbed power	7360 W	7360 W
Working temperature	356° ÷ 536° F	
Room temperature range	up to 104° C	
DIMENSION (W x D x H)		
Machine body	58,6" x 79,5" x 67 mm	
WEIGHT		
Machine body	1425 lb	

HOW TO FABRICATE A SPECIAL FITTING

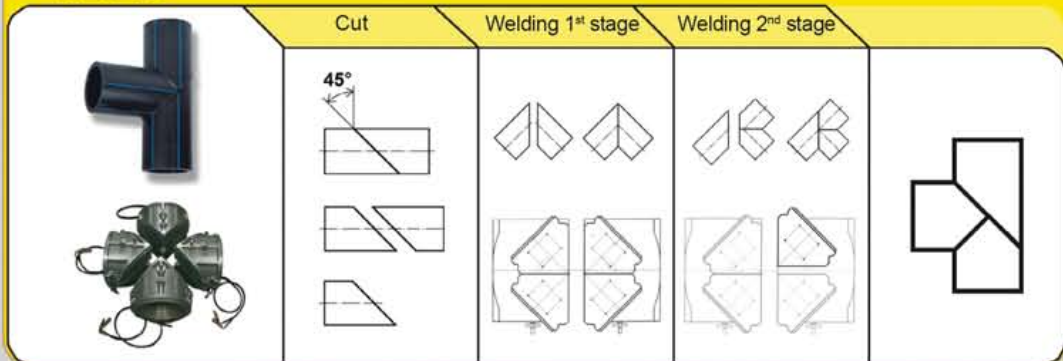
ELBOWS



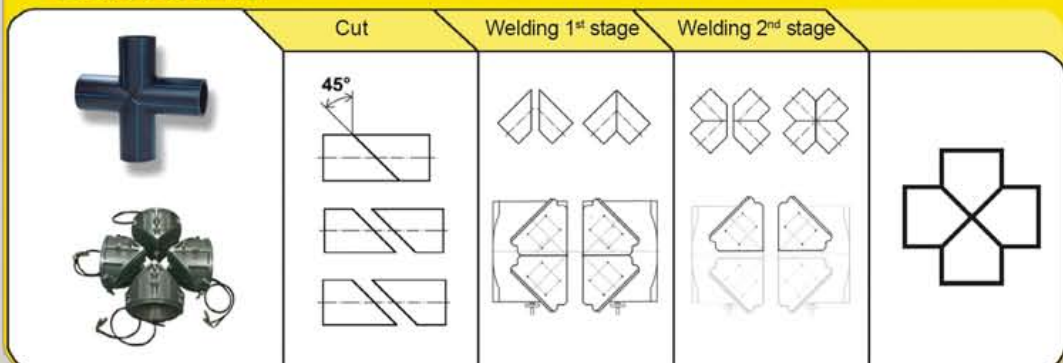
WYES (Y)



TEES



CROSSES





RITMO AMERICA LLC

300 Acuff Road - Lake Wales FL 33859
Phone 863-679-8655 Fax 863-679-8685
www.ritmoamerica.com - info@ritmoamerica.com



RITMO S.p.A.

Via A. Volta, 35/37 - 35037 Bresseto di Teolo (PADOVA) ITALY
Ph. +39 049 9901888 Fax +39 049 9901993
info@ritmo.it - www.ritmo.it



Watch
the Corporate Video